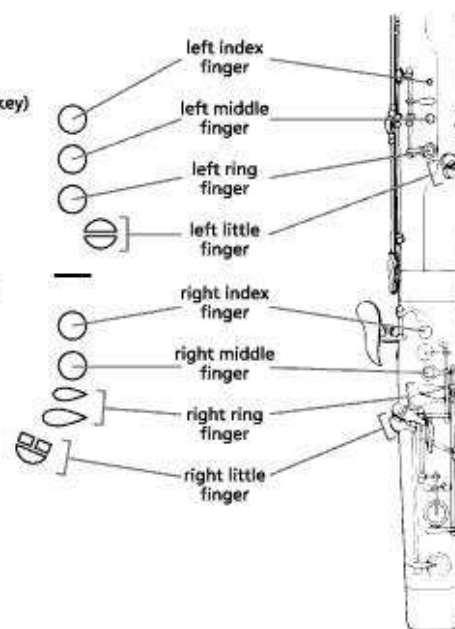
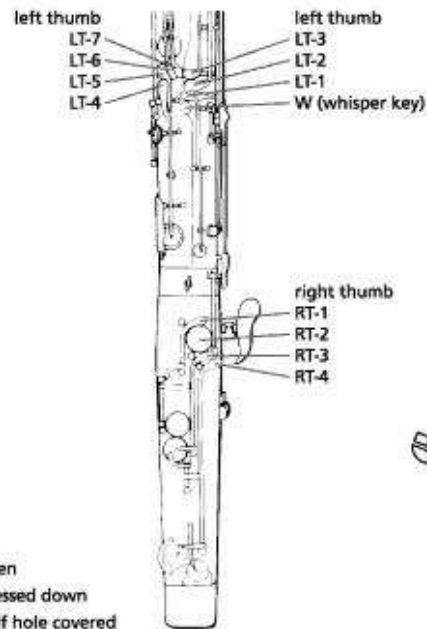


BASSOON FINGERING CHART



○ = open
● = pressed down
◐ = half hole covered

B \flat B C C \sharp D \flat D D \sharp E \flat

D D \sharp E \flat E F F \sharp G \flat

E F F \sharp G \flat G G \sharp A \flat

G G \sharp A \flat A A \sharp B \flat B C

A A \sharp B \flat B C C \sharp D \flat

C \sharp D \flat D D \sharp E \flat E F F \sharp G \flat G

*On some bassoons, high F \sharp /G \flat can be played more in tune by adding the left hand 3rd (ring) finger to one of the standard fingerings.